

FLEXIBLE JOINT

# BEND-A-FUL



## Feature

- Anti-corrosion protective layers guard the flexible hose from sand and dirt, improving water prove and corrosion resistance.
- Bendable by bare hand. Easily adjust the bending angle at site.
- Reducing installation time by simple installation.
- Protect the piping system during earthquake.
- Easy installation in constricted location.
- Contacting to all type of pipe by flange.
- Easy handling with light weight.
- Long service life with all wet part material to stainless steel.

|                            |  |
|----------------------------|--|
| Design Working Pressure    | 1.6 MPa  |
| Design Working Temperature | 90°C   |
| Applicable Fluid           | Water, Hot Water, Oil, Steam, Gas, and Exhaust Air |

## Applications

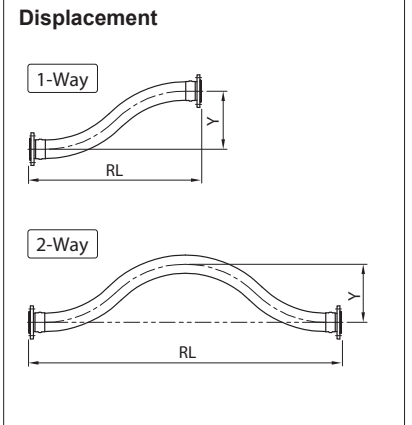
Waterworks, irrigation, or other underground piping systems.

## Structure

| No. | Parts                           | Material | No. | Parts               | Material         |
|-----|---------------------------------|----------|-----|---------------------|------------------|
| ①   | Loosed Flange                   | SUS304   | ④   | Wire braid          | SUS304           |
| ②   | Collar                          | SUS304   | ⑤   | Anti corrosion tape | Synthetic Rubber |
| ③   | Stainless Steel Corrugated Hose | SUS304   |     |                     |                  |

## Installation with length retraction or diversion application

| Size |        | Ineffective Length [mm] | Overall Length = OAL                      |        |        |                                     |        |        |
|------|--------|-------------------------|---|--------|--------|-------------------------------------|--------|--------|
| [A]  | [inch] |                         | (Retracted length, RL = OAL - Retraction) |        |        |                                     |        |        |
|      |        |                         | 1-Way Lateral Displacement (Y) [mm]       |        |        | 2-Way Lateral Displacement (Y) [mm] |        |        |
|      |        |                         | Y=150                                     | Y=300  | Y=500  | Y=150                               | Y=300  | Y=500  |
| 20   | 3/4    | 96                      | 750                                       | 1350   | 2200   | 1404                                | 2604   | 4304   |
|      |        |                         | (460)                                     | (670)  | (960)  | (824)                               | (1244) | (1824) |
| 25   | 1      | 96                      | 750                                       | 1350   | 2200   | 1404                                | 2604   | 4304   |
|      |        |                         | (460)                                     | (670)  | (960)  | (824)                               | (1244) | (1824) |
| 32   | 1 1/4  | 100                     | 750                                       | 1360   | 2200   | 1400                                | 2620   | 4300   |
|      |        |                         | (500)                                     | (710)  | (1000) | (900)                               | (1320) | (1900) |
| 40   | 1 1/2  | 100                     | 750                                       | 1360   | 2200   | 1400                                | 2620   | 4300   |
|      |        |                         | (500)                                     | (710)  | (1000) | (900)                               | (1320) | (1900) |
| 50   | 2      | 100                     | 770                                       | 1370   | 2200   | 1440                                | 2640   | 4300   |
|      |        |                         | (570)                                     | (790)  | (1070) | (1040)                              | (1480) | (2040) |
| 65   | 2 1/2  | 131                     | 800                                       | 1405   | 2250   | 1469                                | 2679   | 4369   |
|      |        |                         | (640)                                     | (860)  | (1150) | (1149)                              | (1589) | (2169) |
| 80   | 3      | 132                     | 800                                       | 1420   | 2250   | 1468                                | 2708   | 4368   |
|      |        |                         | (660)                                     | (900)  | (1180) | (1188)                              | (1668) | (2228) |
| 100  | 4      | 145                     | 830                                       | 1450   | 2250   | 1515                                | 2755   | 4355   |
|      |        |                         | (740)                                     | (990)  | (1270) | (1335)                              | (1835) | (2395) |
| 125  | 5      | 149                     | 850                                       | 1450   | 2300   | 1551                                | 2751   | 4451   |
|      |        |                         | (790)                                     | (1060) | (1350) | (1431)                              | (1971) | (2551) |
| 150  | 6      | 160                     | 900                                       | 1470   | 2350   | 1640                                | 2780   | 4540   |
|      |        |                         | (870)                                     | (1170) | (1480) | (1580)                              | (2180) | (2800) |
| 200  | 8      | 180                     | 1050                                      | 1520   | 2400   | 1920                                | 2860   | 4620   |
|      |        |                         | (970)                                     | (1300) | (1650) | (1760)                              | (2420) | (3120) |
| 250  | 10     | 190                     | 1230                                      | 1560   | 2425   | 2270                                | 2930   | 4660   |
|      |        |                         | (1050)                                    | (1420) | (1780) | (1910)                              | (2650) | (3370) |
| 300  | 12     | 190                     | 1400                                      | 1620   | 2500   | 2610                                | 3050   | 4810   |
|      |        |                         | (1120)                                    | (1510) | (1910) | (2050)                              | (2830) | (3630) |
| 350  | 14     | 200                     | 1545                                      | 1700   | 2520   | 2890                                | 3200   | 4840   |
|      |        |                         | (1180)                                    | (1600) | (2020) | (2160)                              | (3000) | (3840) |
| 400  | 16     | 200                     | 1680                                      | 1805   | 2550   | 3160                                | 3410   | 4900   |
|      |        |                         | (1230)                                    | (1660) | (2100) | (2260)                              | (3120) | (4000) |



- SUS316L Stainless steel hose is available upon requested.
- Any information provided in drawing is subject to change without notice for error rectification or design modification.

This brochure may be revised without prior notice. We apologize in advance for any inconvenience this may cause.

Agent

**TOZEN Corporation**

8-4, Asahi, Yoshikawa  
Saitama 342-0008 Japan

